

Aquadis+ Hot Water

Accurate billing for sub metering application

Aquadis+ volumetric water meter is especially designed to provide reliable and accurate measurement in hot water up to 90 C. The most typical application is in collective housing where the accurate individual billing with Aquadis+ allow to properly control and account the global building consumption.

Accurate



Aquadis+ has starting flow value < 3 l/h allowing the detection of drop to drop condition, representing 25 m³ of not invoiced water par year.

It is capable to measure at 12 l/h

inside the metrology channel, reducing the not accounted water amount that could represent even 80 m³ par year in case of use of not appropriated water meters.

Easy to Use

Aquadis+ can be installed in horizontal or vertical position without effect on accuracy and thanks to the magnetic transmission, it is possible to rotate the register for a better reading comfort.

The clear and wide 8 rollers facilitate the reading and the visual leakages detection.

An internal wiper prevent any condensation problems to always guarantee a simple reading.

Communication Device

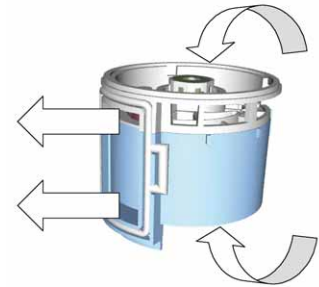
Aquadis+ is always pre-equipped with the proven Cyble technology, making it possible to mount plug-and-play Cyble modules at any time in the field without replacing any component of the meter.

This opens up to a large range of advanced and reliable AMR systems.

Please refer to specific leaflet about Itron AMR complete portfolio.

Technology Highlights

- > Innovative Hydro-dynamically balanced piston (patented, derivate from Cold Water version) enables the detection and account of extremely low flows and reduce wear effects.



- > Extra dry register preserves the rotating wheels and rollers from water exposure reducing wear and tears.
- > Strong and stable magnetic transmission not sensitive to external tampering.
- > Special materials has been chosen for the measuring chamber to keep the excellent performance even at very high water temperature.

Approvals and Standards

Aquadis+ Hot Water is approved for Q3=1,6 and Q3=2,5 m³/h from Ratio 50 to 160 according with:

- > MID, directive 2004/22/EC
- > European Std EN 14154 - 2005
- > International Standard ISO 4064 – 2005 and complaints with OIML R49 recommendations.

Aquadis+ is compliant with regulations for products to use in contact with water intended for human consumption, granted by the following laboratories:

- > ACS (France)
- > LCCT (Italy)

Options

- > Non return-valve for outlet pipe
- > Removable cap for repairing
- > Register with optical detection principle (CC4)
- > Customer log on the cap



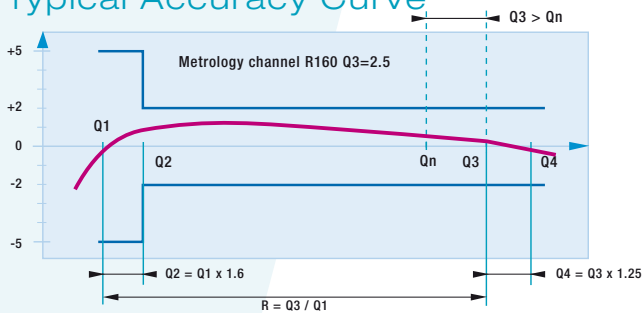
- > Accurate and Efficient
- > Any installation position
- > Compact and Silent
- > Pre-equipped for Communication

Technical Characteristics

Nominal Flow Rate	(Q3)	m ³ /h	1.6	2.5
MID Type Approval Number			LNE 16946	
MID Dynamic Range (R) - all positions			160 (*)	
Standard Ratio *	(Q3/Q1)		100	160
Minimum Flow Rate	(Q1)	L/h	16	15.6
Transitional Flow Rate	(Q2)	L/h	25.6	25
Overload Flow Rate	(Q4)	m ³ /h	2	3.125
Typical Starting Flow Rate		L/h	≤ 3	
Pressure Loss Class at Q3		bar	0.25	0.63
Maximum Admissible Pressure (MAP)		bar	16	
Testing Pressure		bar	25	
Max Operating Temperature (MAT)		°C	30 - 90	
Climatic Environment Range		°C	5 - 55	
Minimum Scale Interval		L	0.02	
Indication Range		m ³	99999.999	

* Other Ratios available under specific request

Typical Accuracy Curve

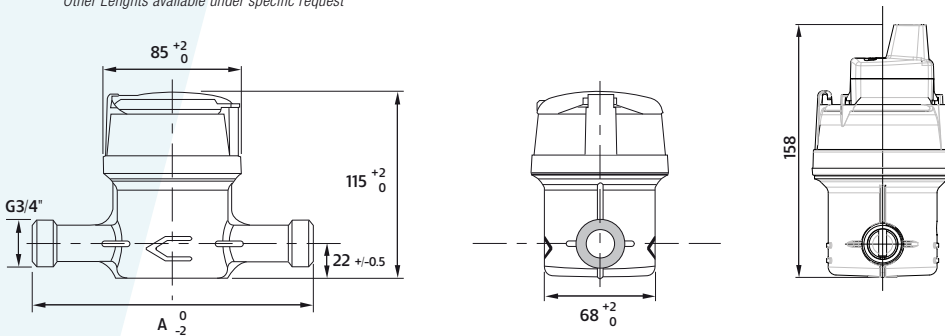


The dynamic range is defined as the Ratio (R) between the nominal and the minimum flowrate. The MID approval proves the Aquadis+ HW real capacity to withstands to higher nominal flows ($Q_3 > Q_n$).

Dimensions and Weight

Nominal diameter (DN)	mm	15	20
	inches	1/2"	3/4"
Meter Thread	inches	3/4" G	1" G
	mm	20x27	20x27
Length * A	mm	105 110 170	130 190
Weight (Min - Max)	Kg	0.75 - 0.93	

* Other Lengths available under specific request



About Itron Inc.

Itron Inc. is a leading technology provider to the global energy and water industries. Our company is the world's leading provider of metering, data collection and utility software solutions, with nearly 8,000 utilities worldwide relying on our technology to optimize the delivery and use of energy and water. Our products include electricity, gas and water meters, data collection and communication systems, including automated meter reading (AMR) and advanced metering infrastructure (AMI); meter data management and related software applications; as well as project management, installation, and consulting services. To know more, start here: www.itron.com

For more information, contact your local sales representative or agency.



> AnyQuest radio frequency module fitted on the meter.



> Version with CC4 register



Itron

9 rue Ampère
71031 Mâcon Cedex
FRANCE
Phone: +33 3 85 29 39 00
Fax: +33 3 85 29 38 58
www.itron.com